

REV B  
775-00025  
DWG NO.

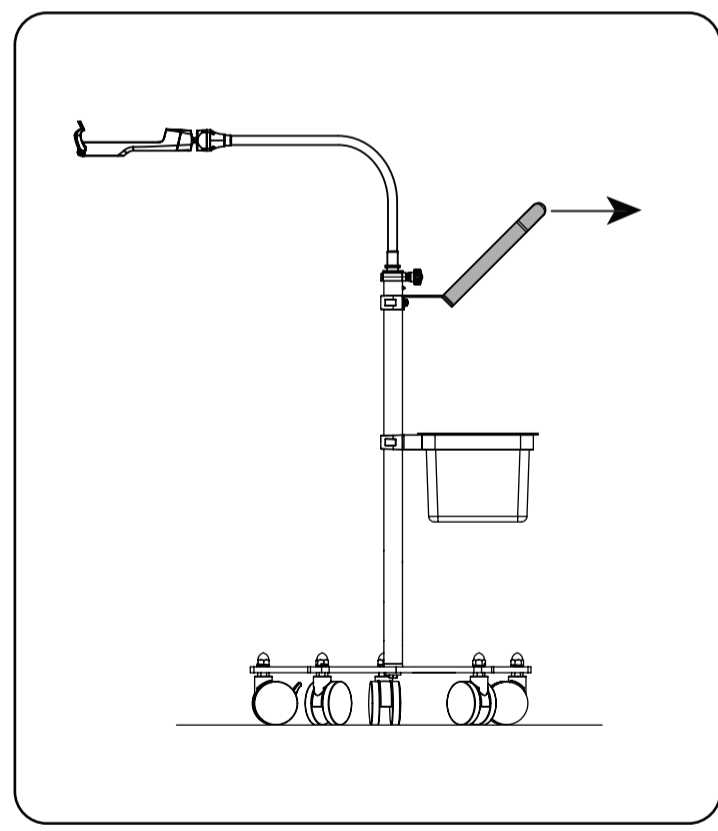
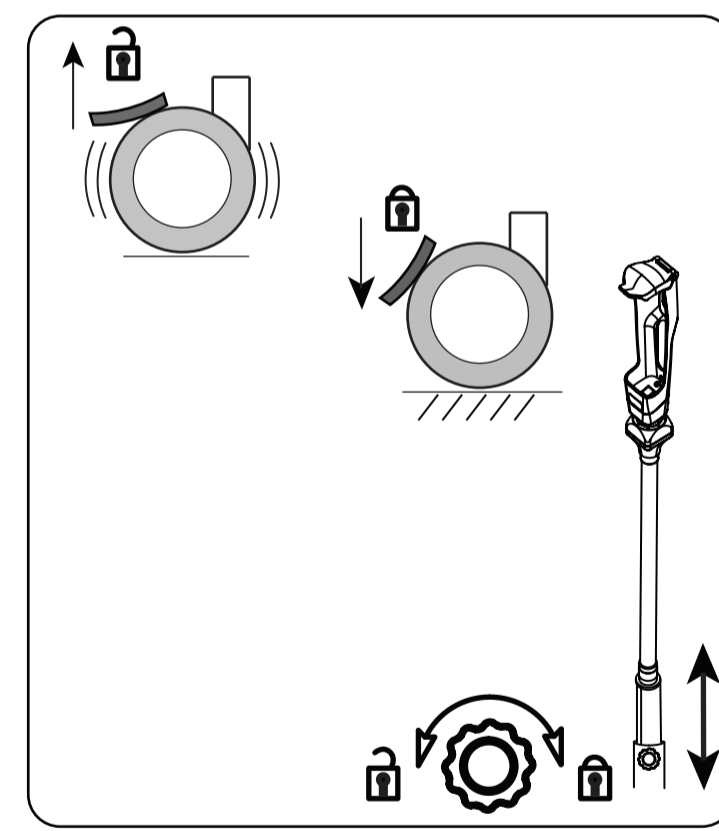
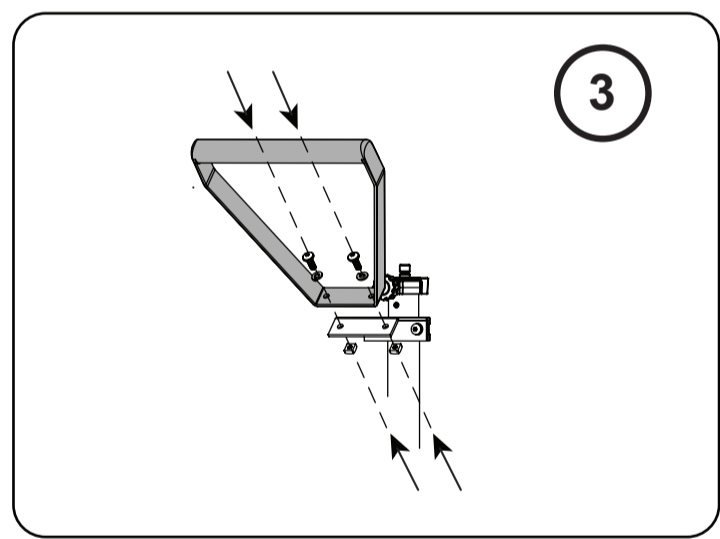
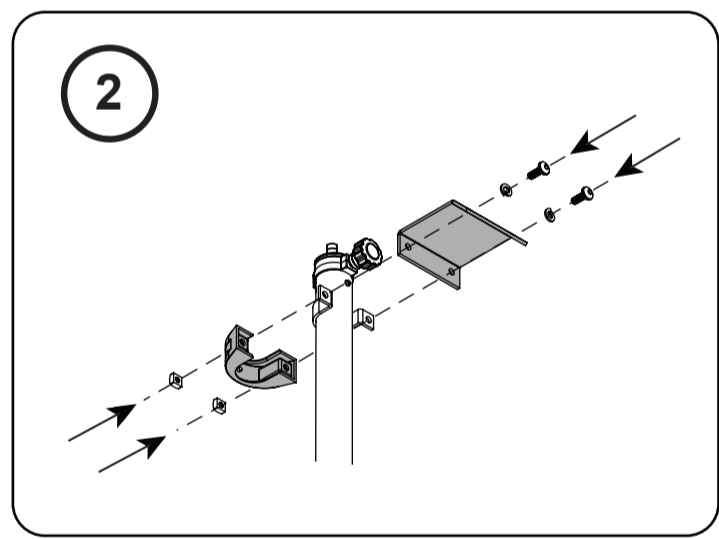
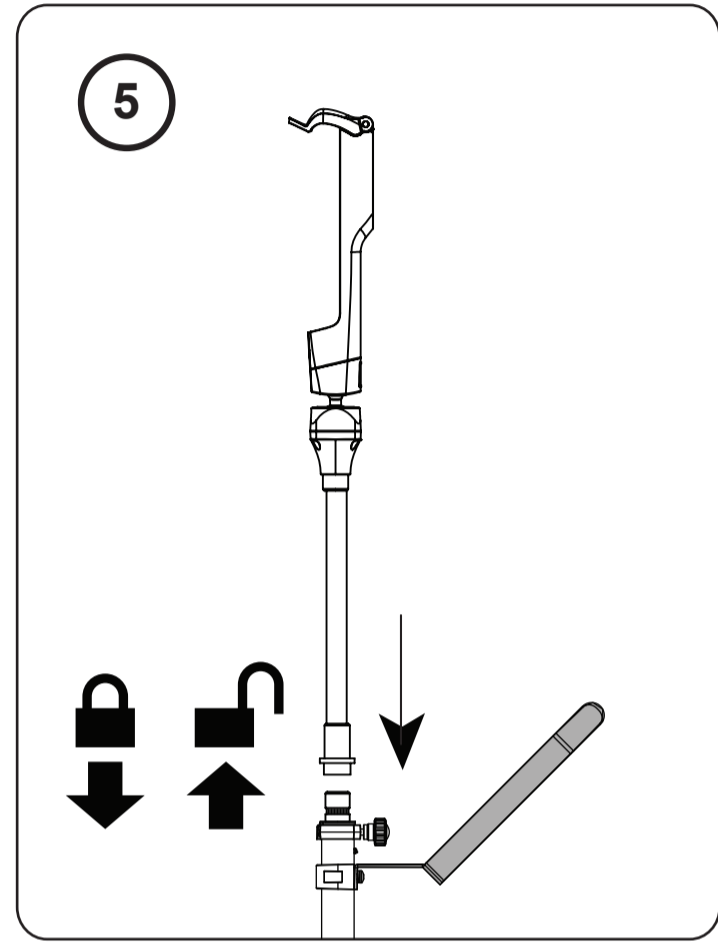
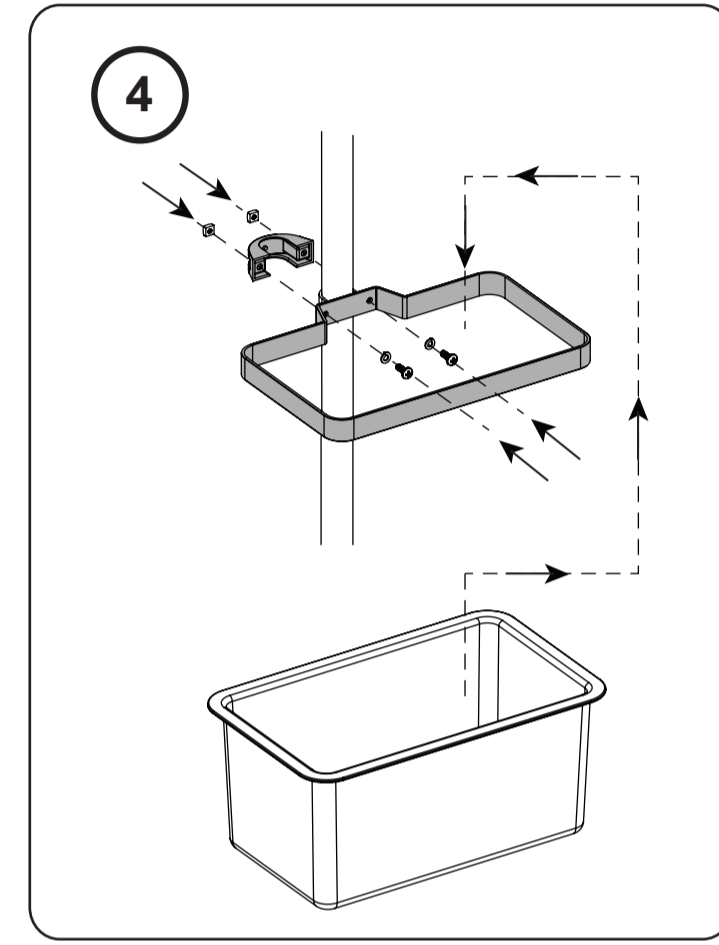
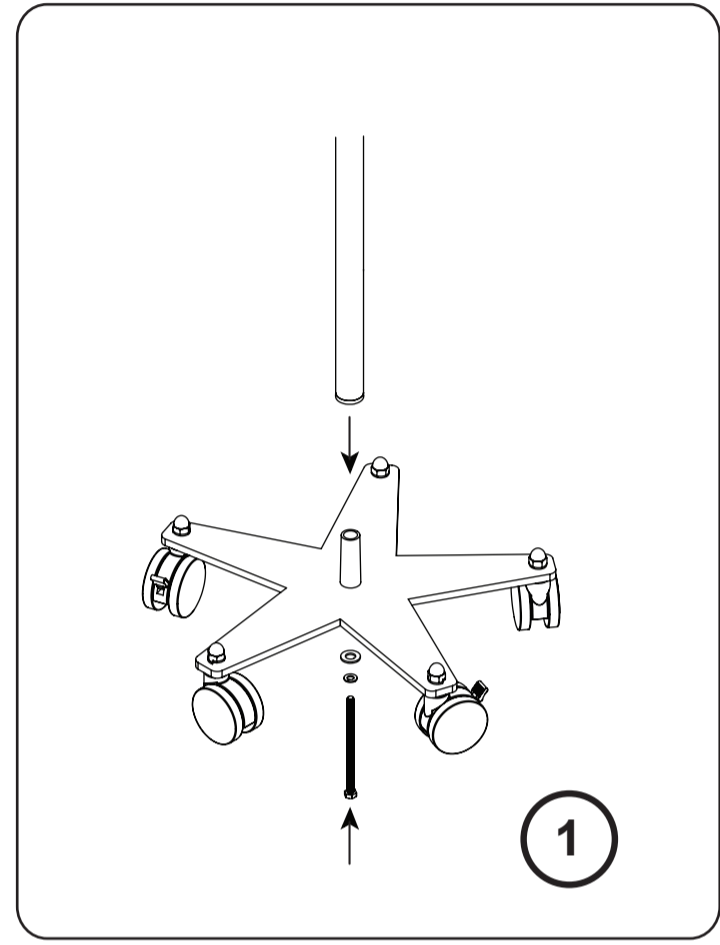
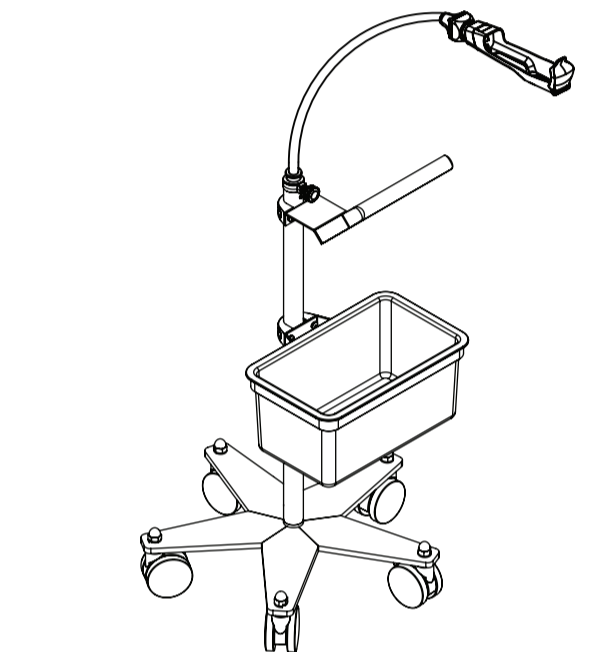
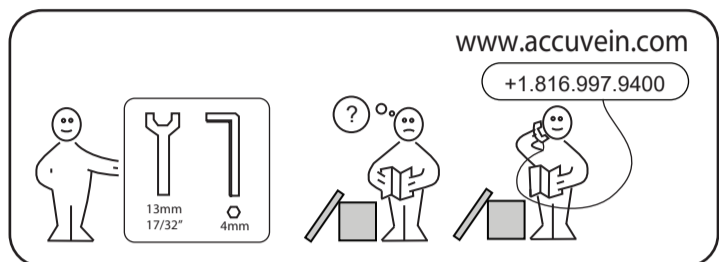
REVISIONS				
REV	ECO	DESCRIPTION	DATE	APPROVED
A	CO-000735	INITIAL RELEASE	APR 7, 2015	MH
B	See ARENA	UPDATED AR ADDRESS	MAR 21, 2017	GM

# AccuVein

# HF450

# AccuVein

# HF450



ACCUVEIN INC.  
40 Goose Hill Road  
Cold Spring Harbor  
New York 11724 USA  
Phone: 816.997.9400  
775-00025 Rev B

CE EC REP EMERGO EUROPE  
Prinsessegracht 20  
2514 AP, The Hague  
The Netherlands

Conforms to AAMI Std E560601-1; Certified to CSA Std C22.2 No. 60601-1

Notes: Print double sided  
Material: 8.5" x 11" or Nearest Approved Metric Equivalent: Matte white.  
ROHS Compliance: Parts/Assemblies must comply with the requirements for the European Union directive for the Restriction of Hazardous Substances.

THE CONTENT OF THIS DOCUMENT IS THE PROPERTY OF ACCUVEIN INC. IT IS TO BE USED ONLY FOR PURPOSES EXPLICITLY DIRECTED BY ACCUVEIN INC. THIS DOCUMENT MAY NOT BE REPRODUCED, NOR DISCLOSED, WITHOUT WRITTEN AUTHORIZATION FROM ACCUVEIN INC.				
DIMENSIONS ARE IN MM (INCHES)		DO NOT SCALE DRAWING		
MAT'L	SEE NOTES	TOLERANCES (UNLESS SPECIFIED)		AccuVein™ 40 Goose Hill Road Cold Spring Harbor, NY 11724 U.S.A. P: 631.367.0394
FINISH	SEE NOTES	SEE NOTES		TITLE HF450-02 Manual
DESIGN BY	MH	MODEL ID		
APPROVED BY	MH	DWG NO.		775-00025
THIRD ANGLE PROJECTION		CONTRACT #		REV B
CAGE #	SCALE 4:1	SHEET 1 OF 1		SIZE A2