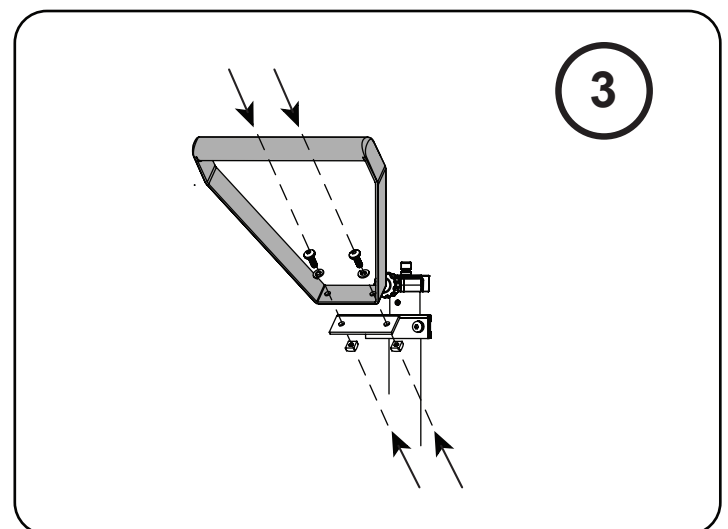
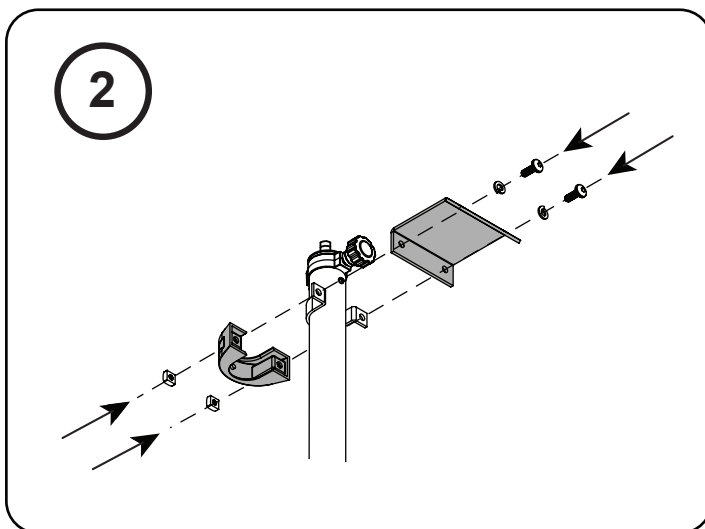
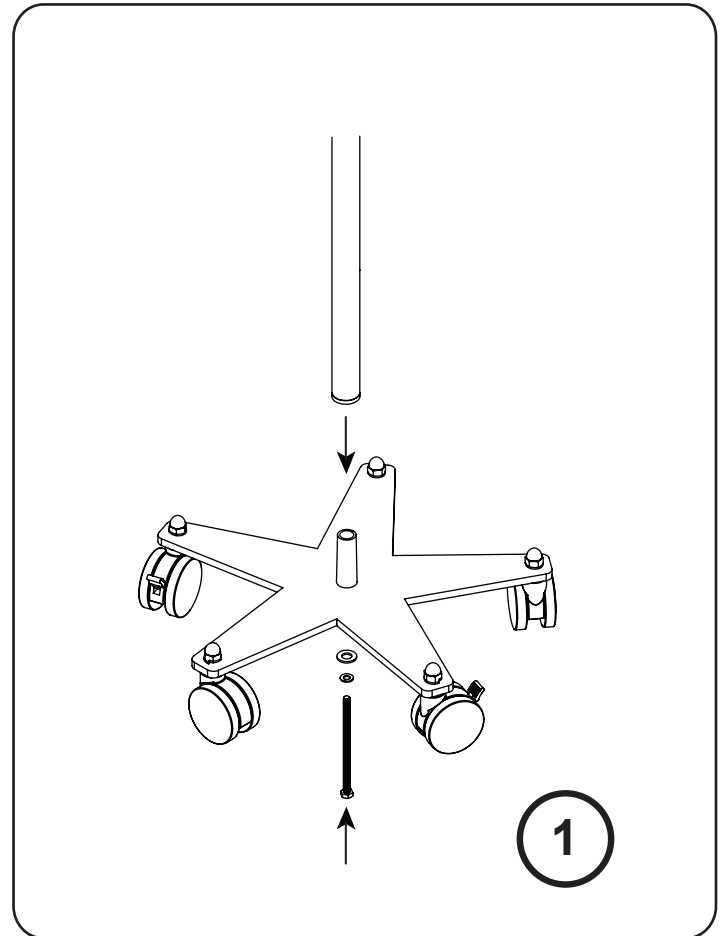
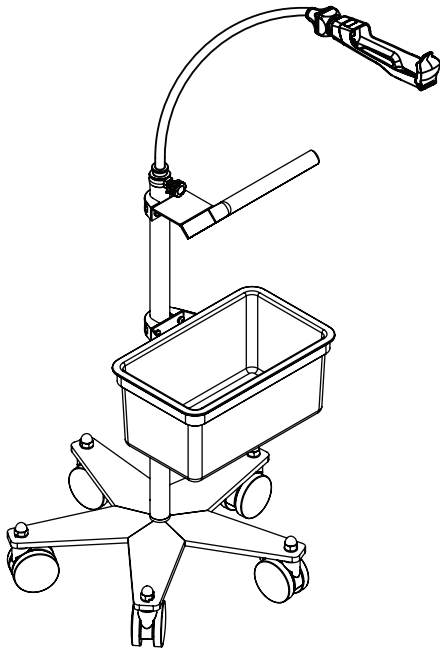


www.accuvein.com  
+1.816.997.9400

13mm  
17/32"  
4mm



AccuVein Inc.  
3243 Route 112  
Building 1, Suite 2  
Medford, NY 11723 USA



EMERGO EUROPE  
Prinsessegracht 20  
2514 AP, The Hague  
The Netherlands

