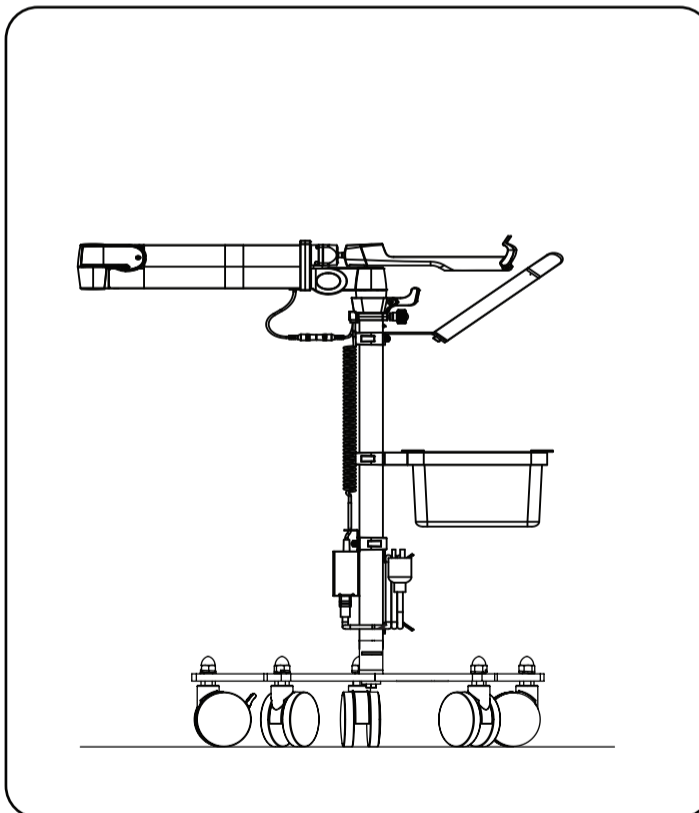
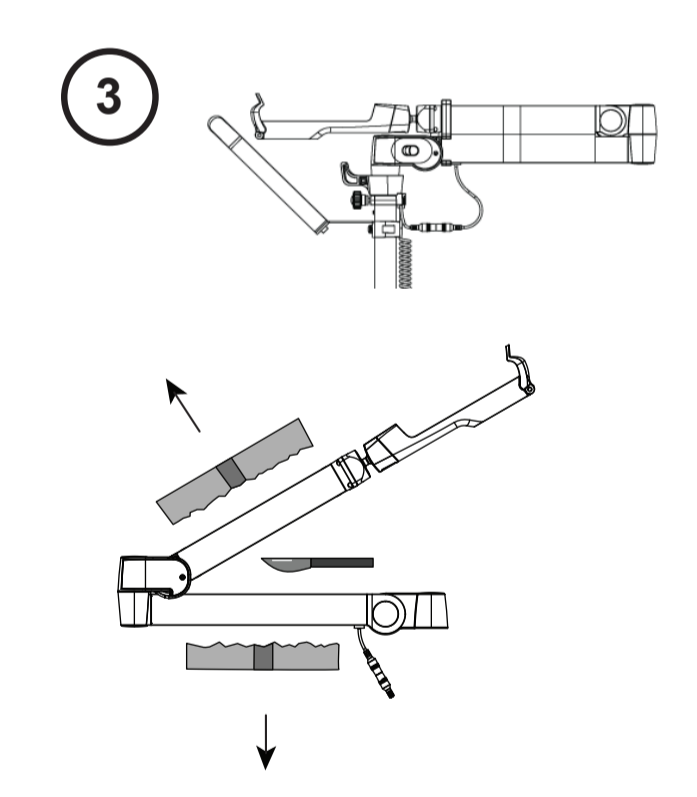
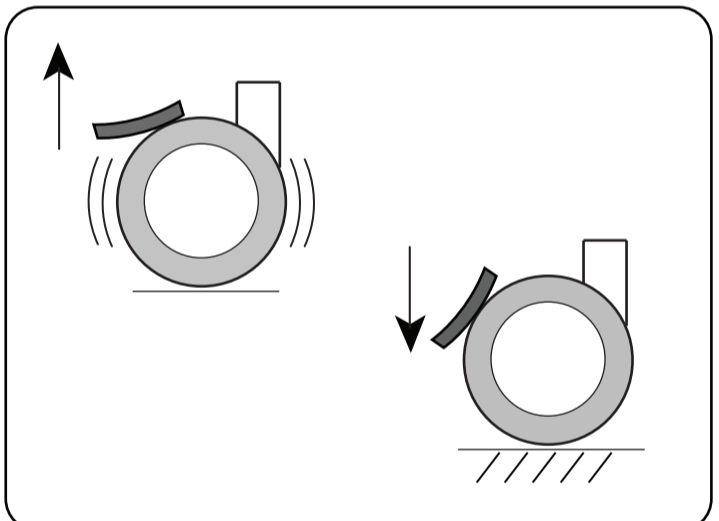
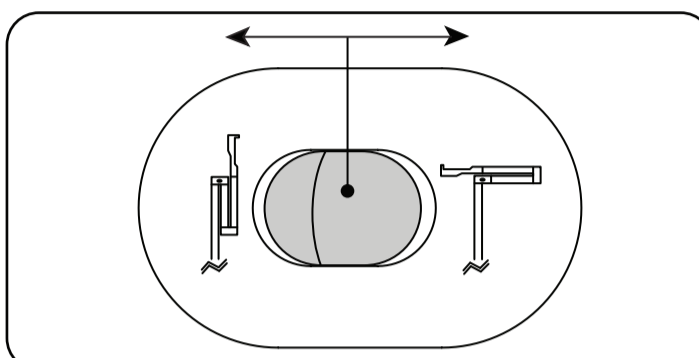
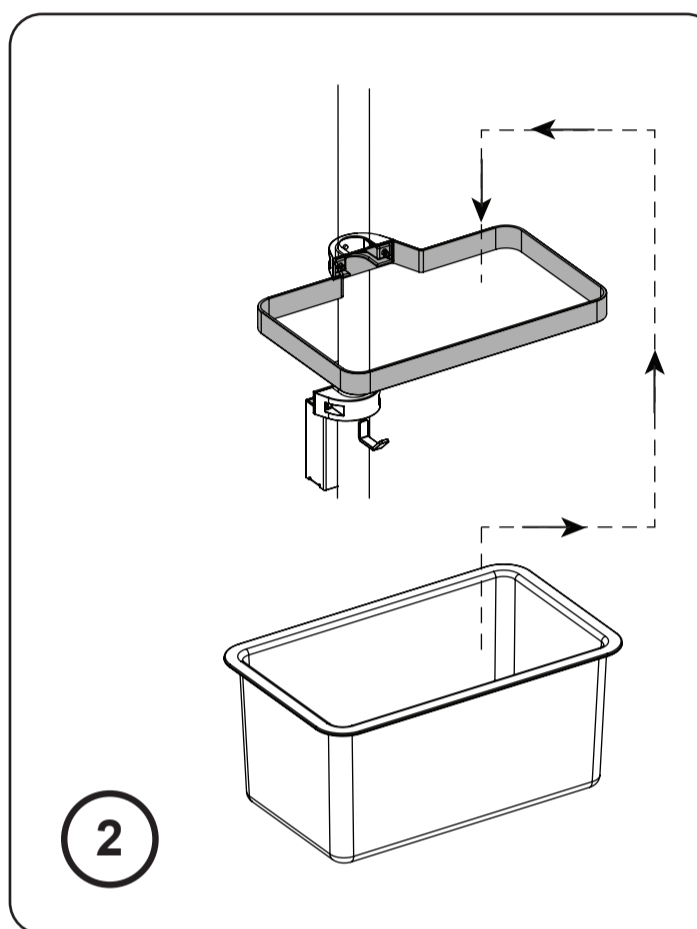
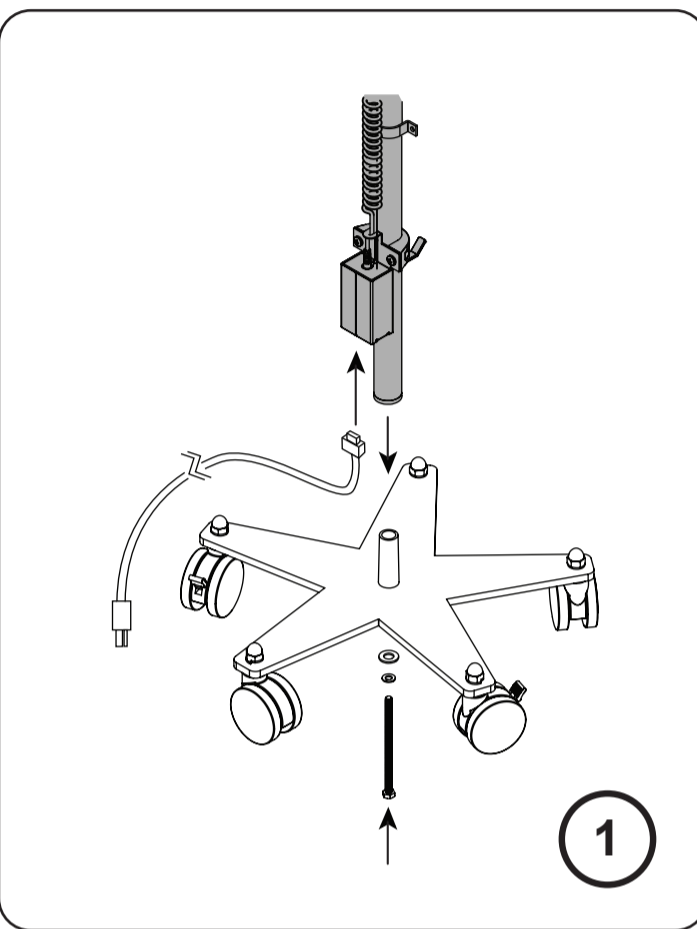
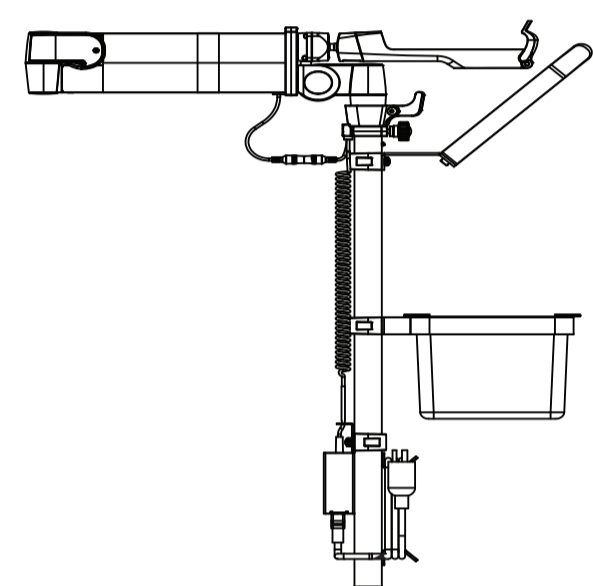
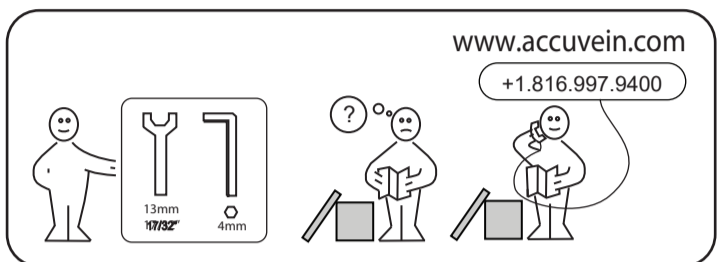


REV E
DWG NO. 775-00001

REVISIONS				
REV	ECO	DESCRIPTION	DATE	APPROVED
A	CO-000450	REVIEW	APR 4, 2013	JAZ
B	CO-000541/550	ADDED HANDLE EXTENSION	OCT 21, 2013	EES
C	CO-000604	ADDED INDICATION TO AV400 IFU	MAR 18, 2014	EES
D	See Arena	Updated to reflect the preassembled state	January 14, 2015	JAZ
E	See Arena	Updated to Update EU rep address	9 MAR 2017	GM
F	See Arena	ADDED ROTATION STOP KIT	16 JUNE 2018	JZ

AccuVein

HF470



ACCUVEIN INC.
 40 Goose Hill Road
 Cold Spring Harbor
 New York 11724 USA
 Phone: 816.997.9400
 Manufactured in Taiwan for AccuVein Inc.

775-00001 Rev F

EMERGO EUROPE
 Prinsessegracht 20
 2514 AP, The Hague
 The Netherlands

Conforms to AAMI Std ES60601-1; Certified to CSA Std C22.2 No. 60601-1

Notes: Print double sided
Material: 8.5" x 11" or Nearest Approved Metric Equivalent: Matte white.
ROHS Compliance: Parts/Assemblies must comply with the requirements for the European Union directive for the Restriction of Hazardous Substances.

THE CONTENT OF THIS DOCUMENT IS THE PROPERTY OF ACCUVEIN INC. IT IS TO BE USED ONLY FOR PURPOSES EXPLICITLY DIRECTED BY ACCUVEIN INC. THIS DOCUMENT MAY NOT BE REPRODUCED, NOR DISCLOSED, WITHOUT WRITTEN AUTHORIZATION FROM ACCUVEIN INC.				
DIMENSIONS ARE IN MM (INCHES)		DO NOT SCALE DRAWING		
MAT'L	SEE NOTES	TOLERANCES (UNLESS SPECIFIED)		AccuVein Inc. 40 Goose Hill Road Cold Spring Harbor, NY 11724 U.S.A. P: 631.367.0394
FINISH	SEE NOTES	SEE NOTES		TITLE MANUAL, HF470
DESIGN BY	LN	DATE	6/16/2018	MODEL ID
APPROVED BY	JZ	DATE	6/16/2018	DWG NO. 775-00001
THIRD ANGLE PROJECTION				CONTRACT # CAGE # SCALE 4:1 SHEET 1 OF 1
				REV F SIZE A2