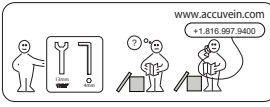
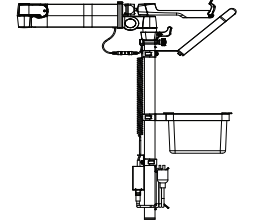
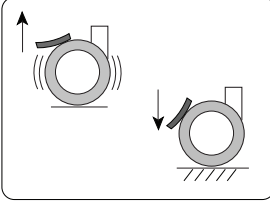


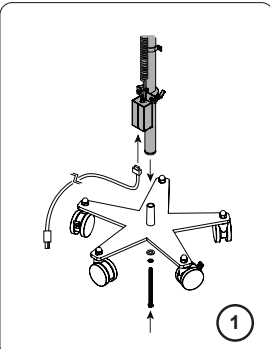
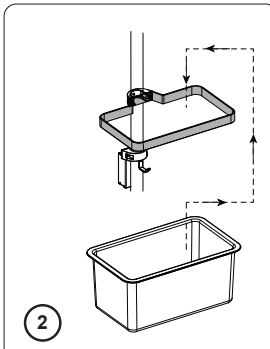
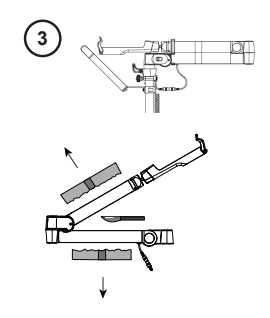
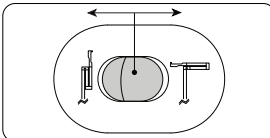
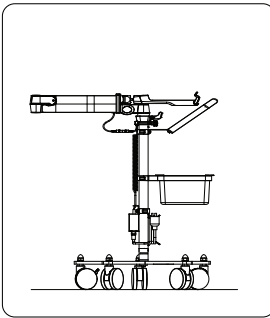
REVISION				
REV	ECO	DESCRIPTION	DATE	APPROVED
B	SEE ARENA	UPDATED FOR MD Symbol (EU) and Injury requirements	09/20/2021	RW


AccuVein

www.accuvein.com
+1.816.987.9400



HF570

<p>ACCUVEIN INC. AccuVein Inc. 3243 Route 112 Building 1, Suite 2 Medford, NY 11723 USA</p>	<p>745-00039 Rev B</p>		<p>EMERGO EUROPE Prinsesgracht 20 2514 AP, The Hague The Netherlands</p>
--	------------------------	---	--

Manufactured in Taiwan for AccuVein Inc. Conforms to AAMI Std ES60601-1; Certified to CSA Std C22.2 No. 60601-1
 Any serious incident that has occurred in relation to any AccuVein device should be reported to the manufacturer, distributor, and competent authority of the Member State in which the user and/or patient is established.

Notes: Print double sided
 Material: 8.5" x 11" or Nearest Approved Metric Equivalent: Matte white.
 ROHS Compliance: Parts/Assemblies must comply with the requirements for the European Union directive for the Restriction of Hazardous Substances.

THE CONTENT OF THIS DOCUMENT IS THE PROPERTY OF ACCUVEIN INC. IT IS TO BE USED ONLY FOR PURPOSES EXPLICITLY DIRECTED BY ACCUVEIN INC. THIS DOCUMENT MAY NOT BE REPRODUCED, NOW OR IN THE FUTURE, WITHOUT WRITTEN AUTHORIZATION FROM ACCUVEIN INC.				
DIMENSIONS ARE IN MM (INCHES)	DO NOT SCALE DRAWING			
VIEW: SEE NOTES	TOLERANCES (UNLESS SPECIFIED)		TITLE: MANUAL, HF570	
FINISH: SEE NOTES	SEE NOTES		MODEL ID:	
DESIGN BY: L. Nimg	DATE: 09/20/2021		UNID: INC.	REV: B
APPROVED BY: R. Wick	DATE: 09/20/2021		CONTRACT #	745-00039
 THIRD ANGLE PROJECTION			CAGE #	SCALE: 4:1 SHEET 1 OF 1